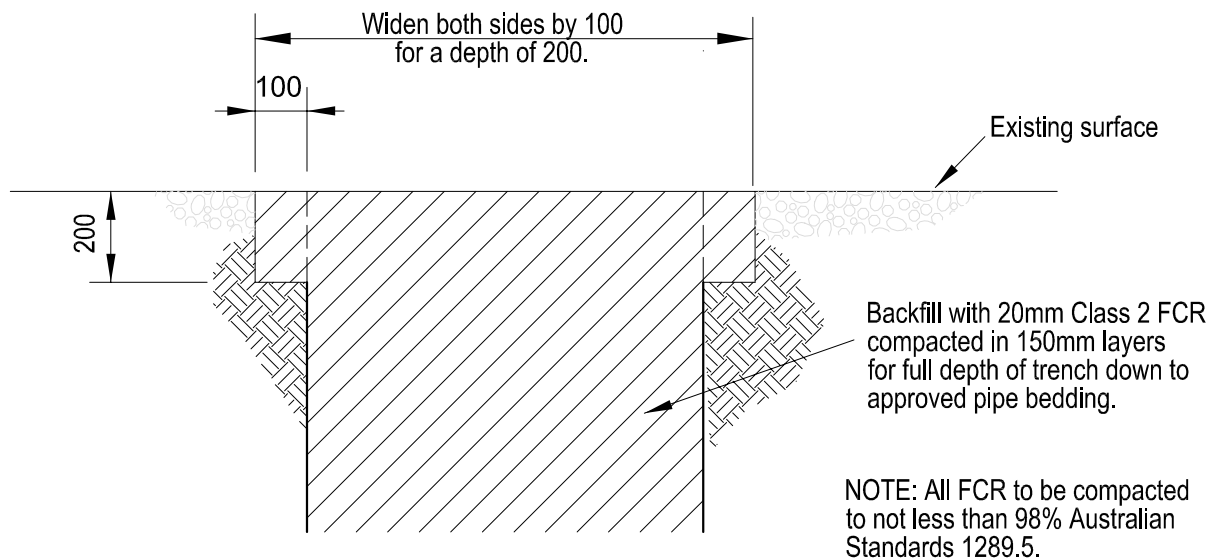

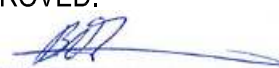
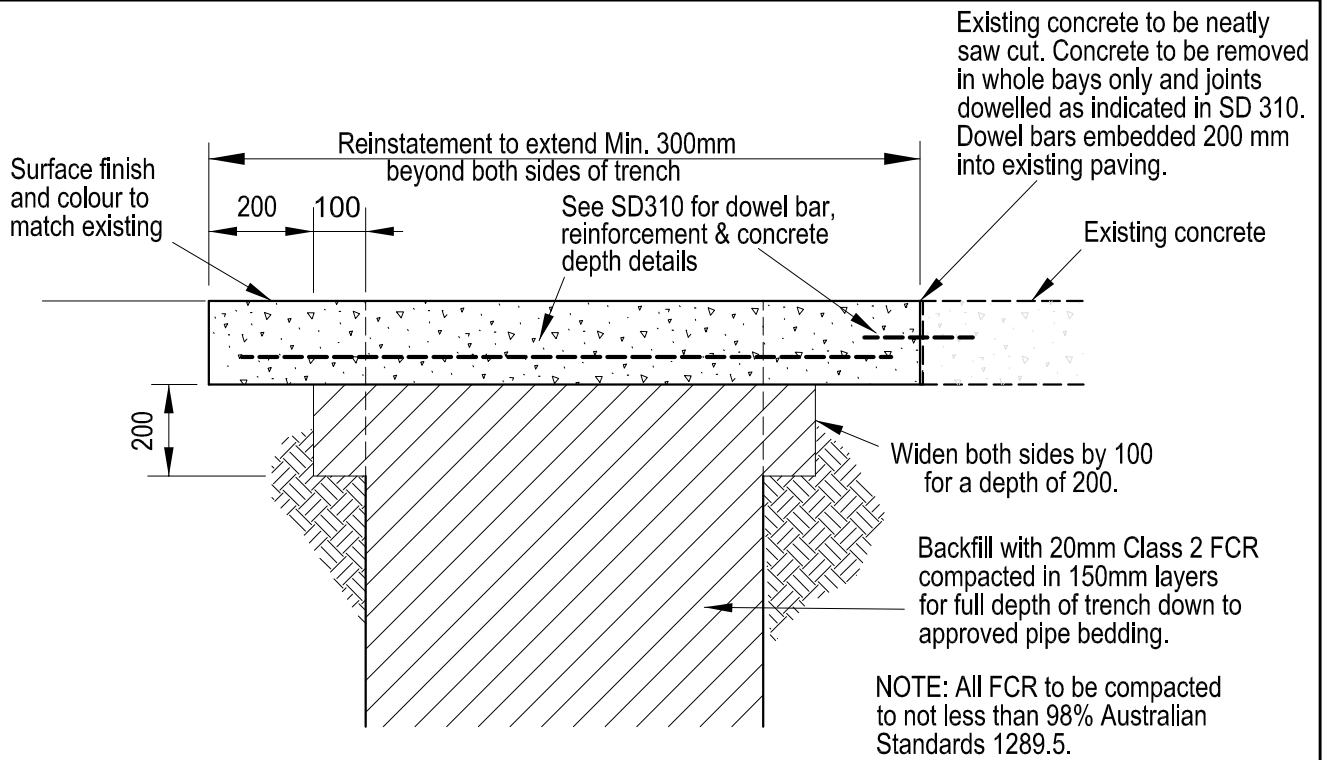


ASPHALT ROAD PAVEMENT REINSTATEMENT

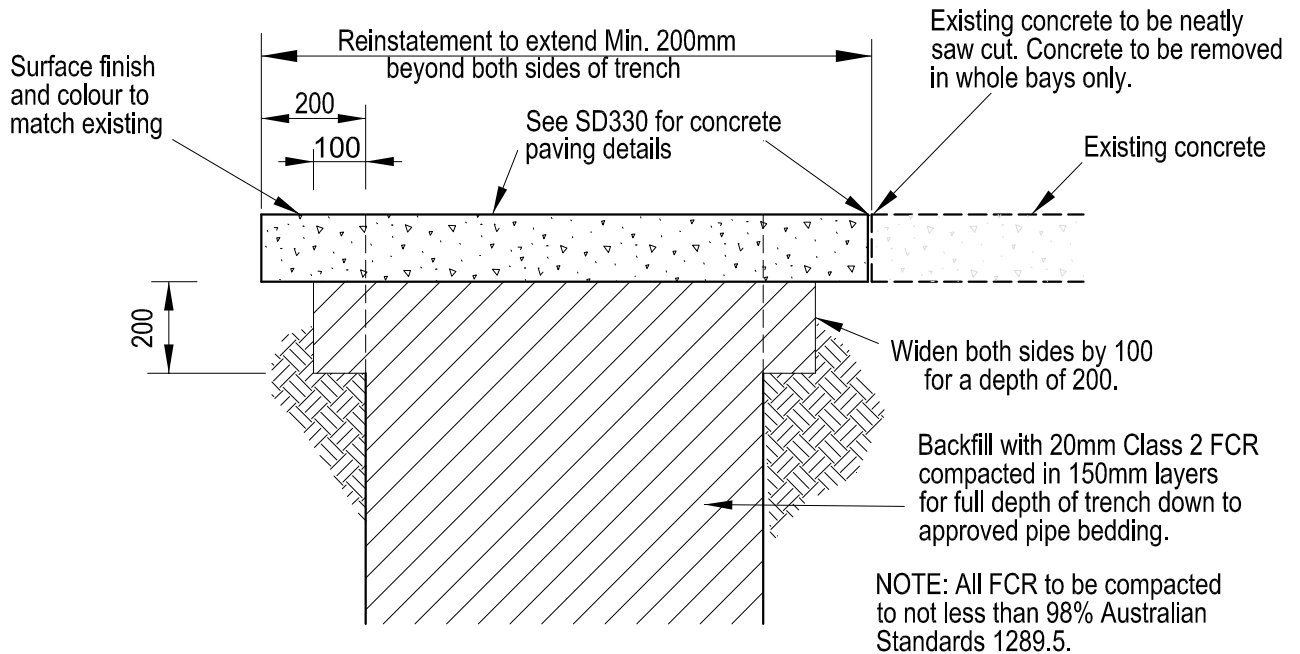


GRAVEL ROAD / SHOULDER REINSTATEMENT

	SCALE: N.T.S.	DATE: Nov 2010	APPROVED:
	DRAWN: P.J.D.	CHECKED: DS	 INFRASTRUCTURE MANAGER
	<h1>TRENCH REINSTATEMENT</h1>		LAST AMENDED: June 2013
<h1>SD 102</h1> PAGE 1 OF 4			



VEHICLE CROSSING REINSTATEMENT



CONCRETE FOOTPATH REINSTATEMENT



SCALE: N.T.S.

DATE: Nov 2009

APPROVED:

DRAWN: P.J.D.

CHECKED: DS

INFRASTRUCTURE MANAGER

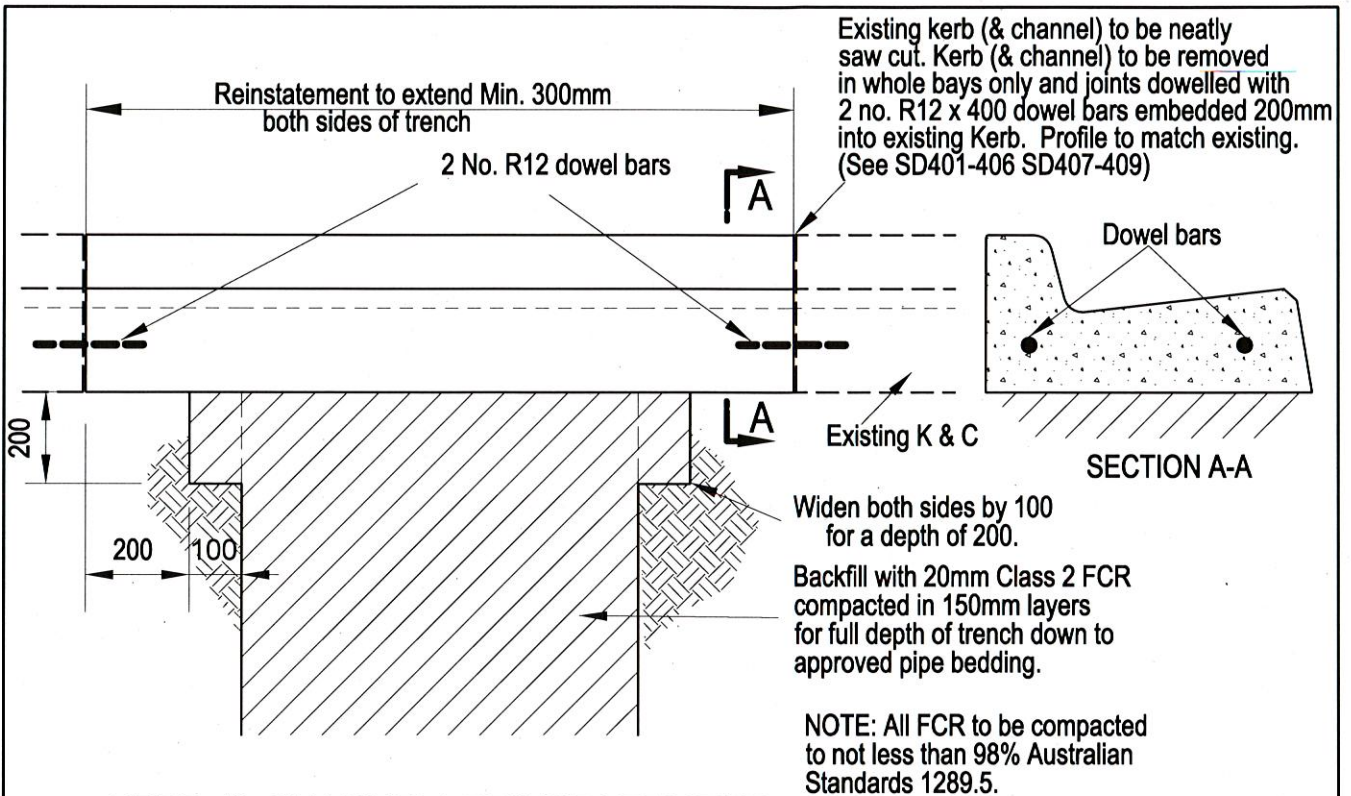
LAST AMENDED:

June 2013

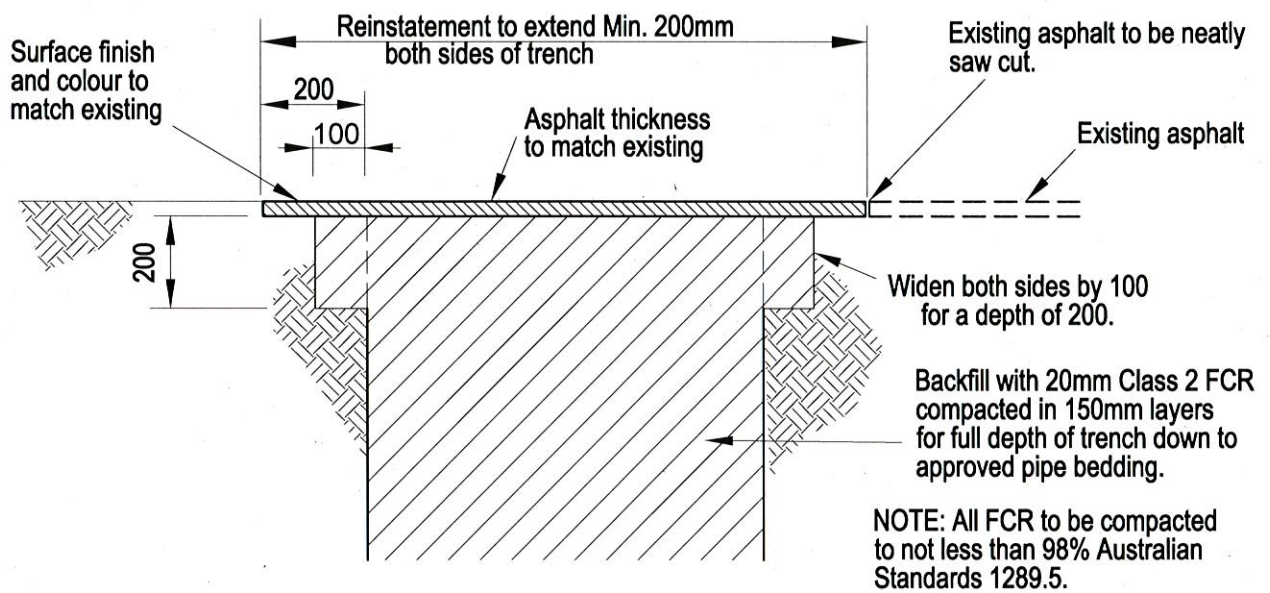
TRENCH REINSTATEMENT

SD 102

PAGE 2 OF 4



KERB (& CHANNEL) REINSTATEMENT



ASPHALT FOOTPATH REINSTATEMENT



SCALE: N.T.S.

DATE: Dec 2012

APPROVED:

DRAWN: P.J.D.

CHECKED: DS

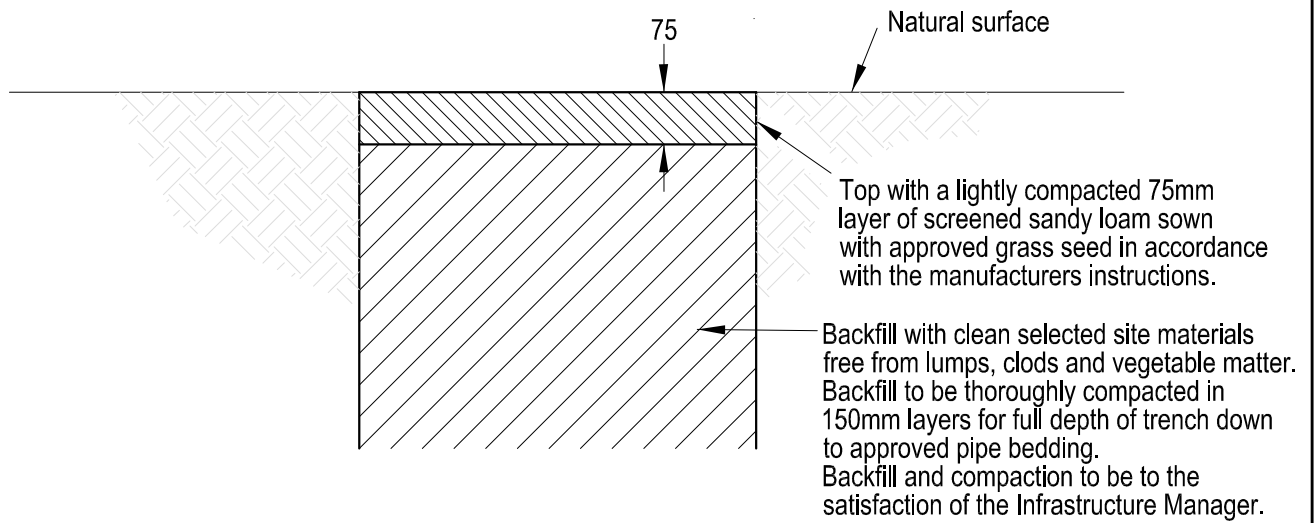
INFRASTRUCTURE MANAGER

LAST AMENDED:

June 2013

TRENCH REINSTATEMENT



SD 102
PAGE 3 OF 4



UNSURFACED / GRASSED AREAS REINSTATEMENT

GENERAL NOTES FOR ALL REINSTATEMENTS

- Any loose or surplus material to be cleaned from trenches prior to back filling.
- Surplus material to be removed from site.
- Any damage to surrounding areas to be made good and the site left clean and tidy.
- Finished surfaces to neatly match existing and be graded to avoid puddles.
- Asphalt surfaces to be compacted by steel wheeled roller or vibrating plate. The finished surface shall be dense smooth and durable for vehicular use.
- Property drains are to be reinstated as per SD243 & SD245

	SCALE: N.T.S.	DATE: Dec 2012	APPROVED:
	DRAWN: P.J.D.	CHECKED: DS	 INFRASTRUCTURE MANAGER
	<h1>TRENCH REINSTATEMENT</h1>		LAST AMENDED: June 2013
<h1>SD 102</h1> PAGE 4 OF 4			