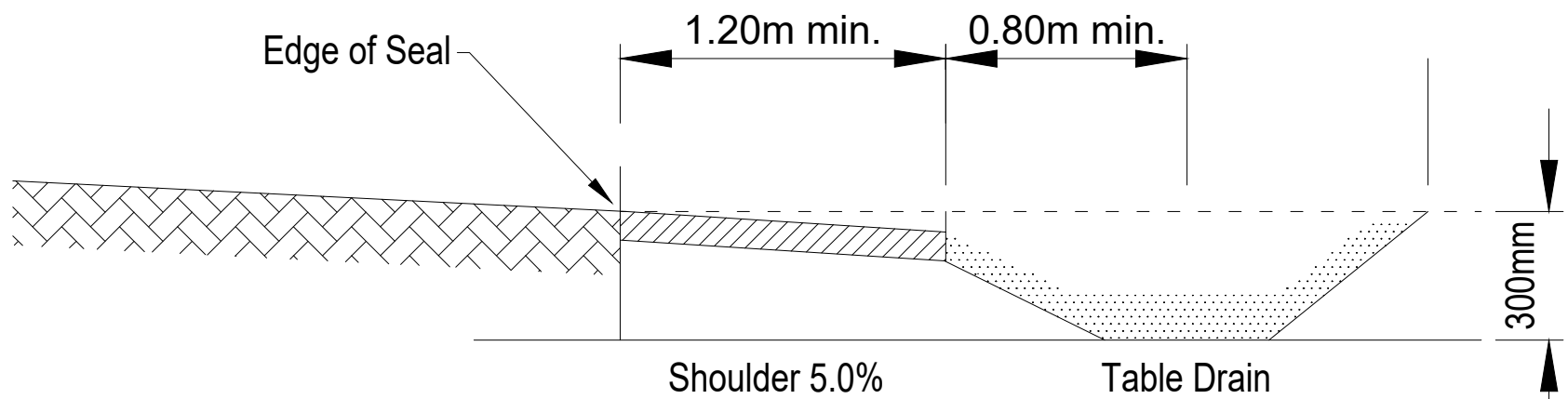
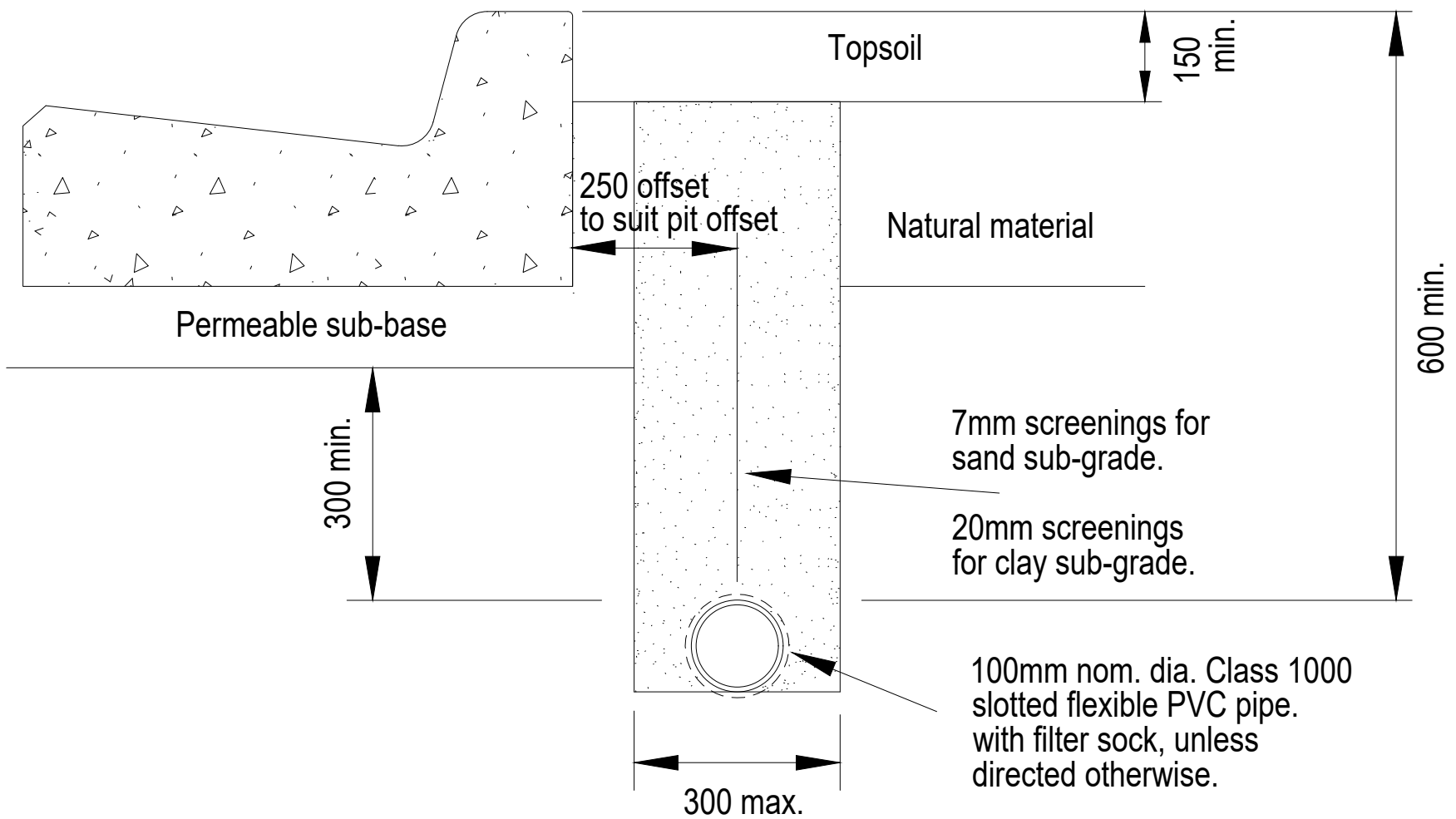


MAJOR AND COLLECT ROADS



LOCAL & SERVICE ROADS



KERB & CHANNEL (URBAN ROADS)



SCALE: N.T.S.

DATE: Dec 2012

APPROVED:

DRAWN: S.R. / P.J.D.

CHECKED:

Addy.
MANAGER ENGINEERING SERVICES

LAST AMENDED: May 2022

SUBSURFACE DRAINS

SD 105
PAGE 1 OF 1