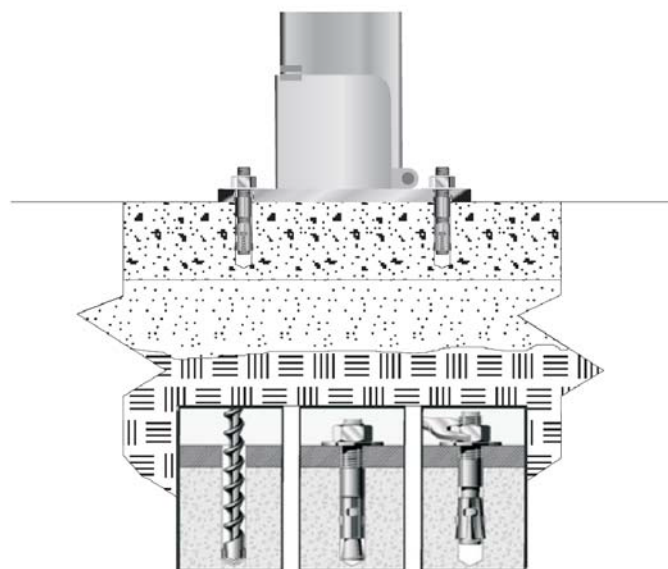
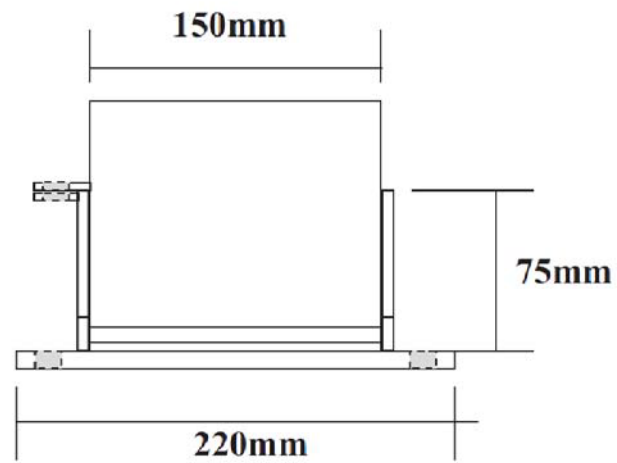
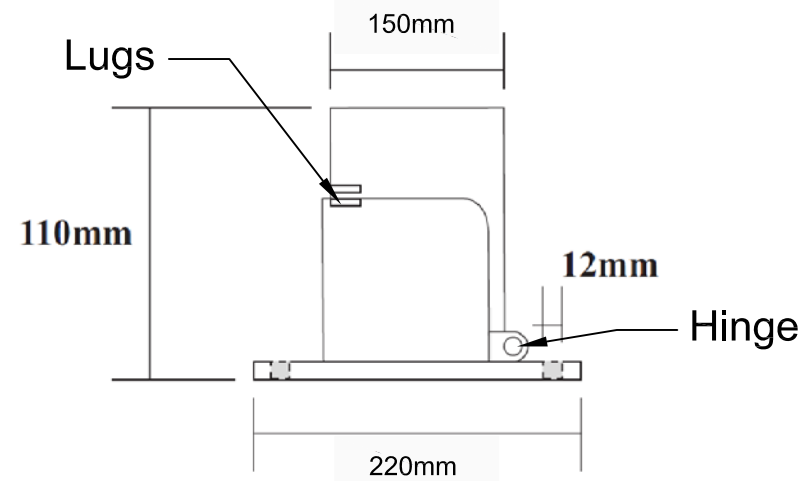
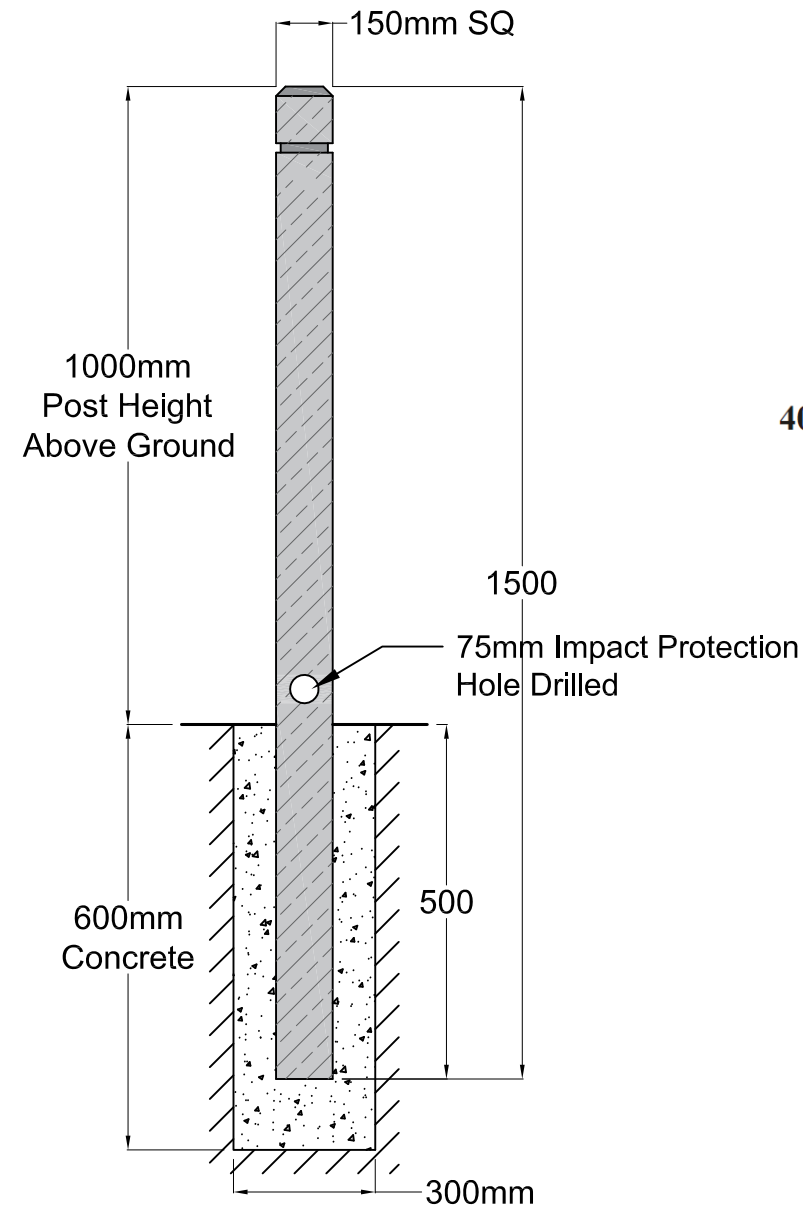


TIMBER BOLLARD

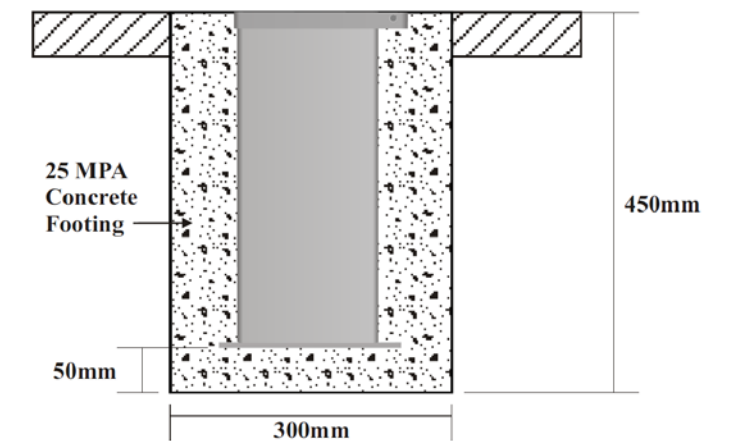
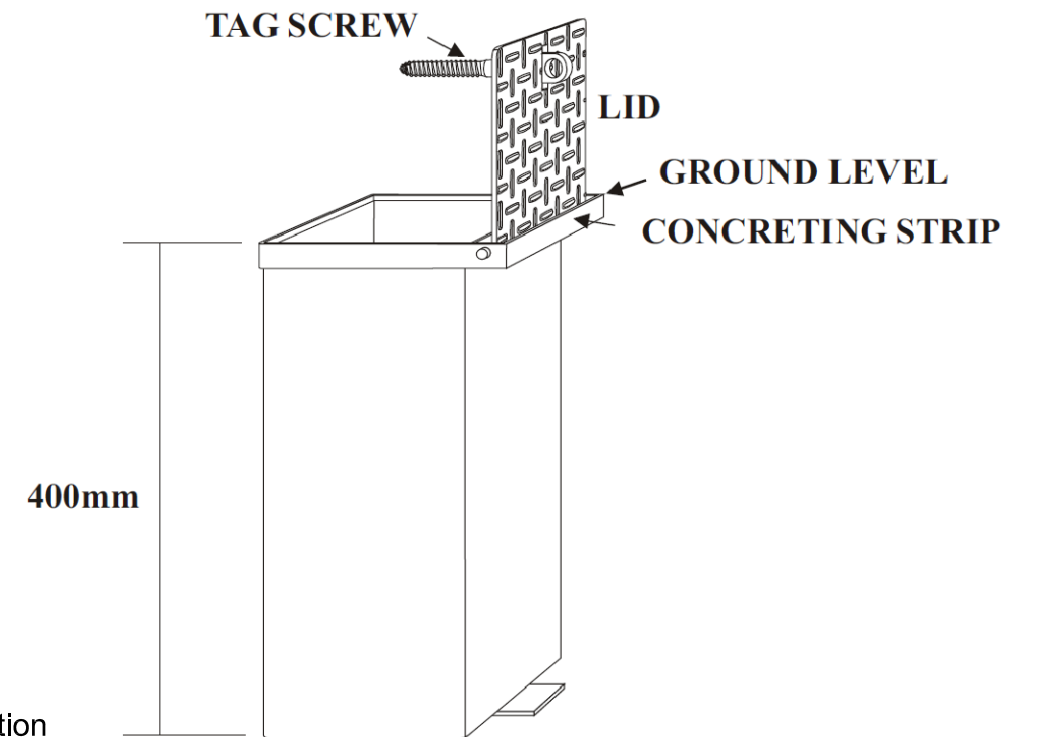
GALVANIZED FOLD DOWN BOLLARD SLEEVE



IN-GROUND CONCRETE FOOTING



GALVANIZED IN-GROUND BOLLARD SLEEVE



FRANKSTON CITY COUNCIL
 Address: 30 Davey Street, Frankston VIC3199 Phone: 1300 322 322

TIMBER BOLLARDS

LAST UPDATED - OCTOBER 2017
 INFRASTRUCTURE DEPARTMENT
SD 578-B SHEET 1 of 1